



Selection: Semi-hermetic Reciprocating Compressors

Input Values

Compressor model Mode	(2DC-3.2Y) Refrigeration and Air conditioning	Suction gas temperature Operating mode	20,00 °C Auto
Refrigerant	R404A	Power supply	400V-3-50Hz
Reference temperature	Dew point temp.	Capacity control	100%
Liq. subc. (in condenser)	0 K	Useful superheat	100%

Result

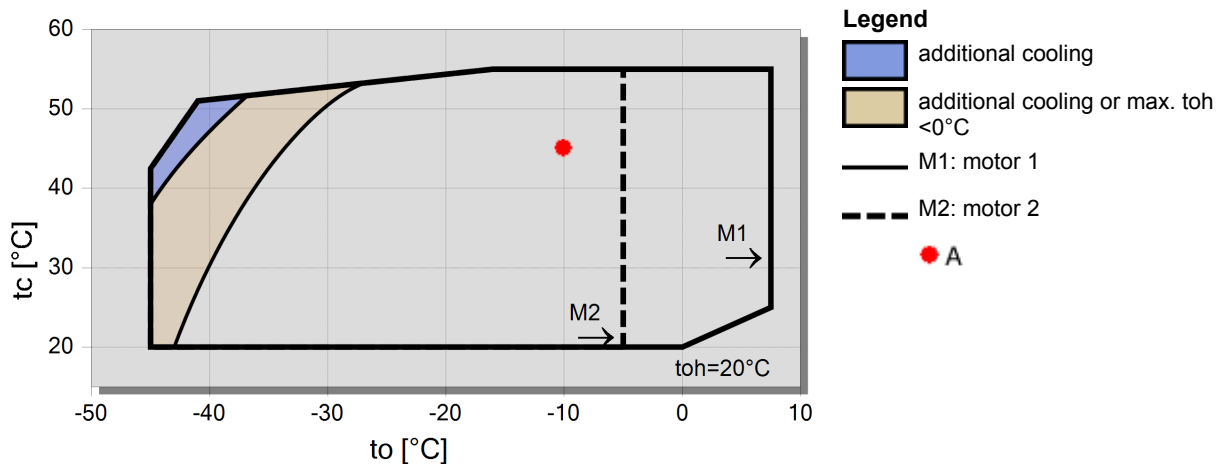
Q [W]	Cooling capacity	COP [-]	COP/EER
Qu* [W]	Evaporator capacity	m [kg/h]	Mass flow
P [kW]	Power input	Op.	Operating mode
I [A]	Current	th [°C]	Discharge gas temp. w/o cooling
Qc [W]	Condenser capacity		

tc	to	10°C	0°C	-10°C	-20°C	-30°C	-40°C	-50°C	-60°C
30°C	Q [W]	--	12258	8417	5540	3418	1890	--	--
	Qu* [W]	--	12258	8417	5540	3418	1890	--	--
	P [kW]	--	2,77	2,60	2,28	1,86	1,37	--	--
	I [A]	--	5,42	5,19	4,80	4,33	3,88	--	--
	Qc [W]	--	15033	11014	7818	5274	3258	--	--
	COP [-]	--	4,42	3,24	2,43	1,84	1,38	--	--
	m [kg/h]	--	312	209	135,7	82,8	45,4	--	--
	Op.	--	Standard	Standard	Standard	Standard	Standard	--	--
	th [°C]	--	63,5	77,8	94,4	114,5	0	--	--
40°C	Q [W]	--	10374	7079	4596	2759	1431	--	--
	Qu* [W]	--	10374	7079	4596	2759	1431	--	--
	P [kW]	--	3,32	2,96	2,49	1,92	1,31	--	--
	I [A]	--	6,14	5,66	5,05	4,40	3,83	--	--
	Qc [W]	--	13695	10044	7083	4683	2745	--	--
	COP [-]	--	3,12	2,39	1,85	1,43	1,09	--	--
	m [kg/h]	--	298	198,2	126,5	75,0	38,6	--	--
	Op.	--	Standard	Standard	Standard	Standard	Standard	--	--
	th [°C]	--	75,6	90,3	107,3	127,9	0	--	--
50°C	Q [W]	--	8501	5745	3658	2112	998	--	--
	Qu* [W]	--	8501	5745	3658	2112	998	--	--
	P [kW]	--	3,80	3,27	2,63	1,93	1,20	--	--
	I [A]	--	6,81	6,07	5,24	4,41	3,75	--	--
	Qc [W]	--	12301	9013	6292	4045	2203	--	--
	COP [-]	--	2,24	1,76	1,39	1,09	0,83	--	--
	m [kg/h]	--	283	186,0	116,1	66,1	30,9	--	--
	Op.	--	Standard	Standard	Standard	Standard	Standard	--	--
	th [°C]	--	87,8	102,9	120,6	0	0	--	--

-- No calculation possible (see message in single point selection)

*According to EN12900 (20°C suction gas temp., 0K liquid subcooling)

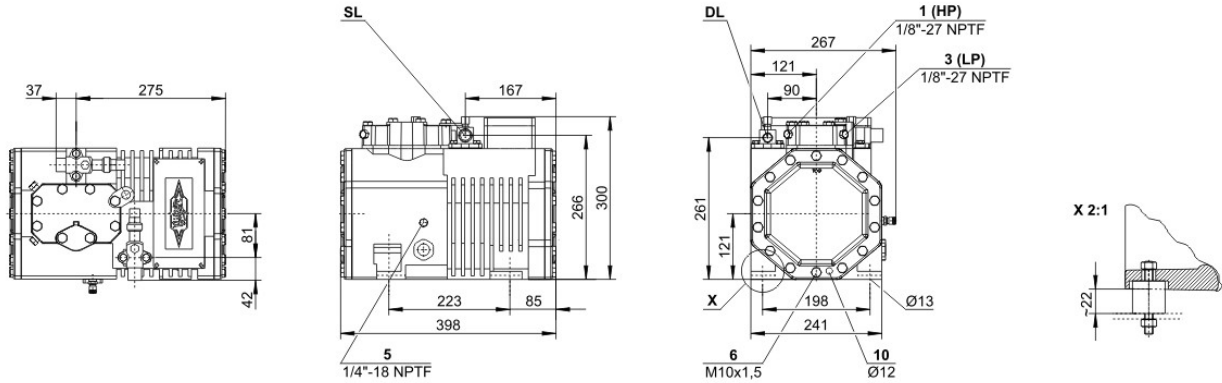
Application Limits 100% Octagon 2DC-3.2





Technical Data: (2DC-3.2Y)

Dimensions and Connections



Technical Data

Technical Data

Displacement (1450 RPM 50Hz)	13,42 m3/h
Displacement (1750 RPM 60Hz)	16,20 m3/h
No. of cylinder x bore x stroke	2 x 50 mm x 39,3 mm
Weight	70,5 kg
Max. pressure (LP/HP)	19 / 28 bar
Connection suction line	22 mm - 7/8"
Connection discharge line	16 mm - 5/8"
Oil type R134a/R407C/R404A/R507A/R407A/R407F	tc<55°C: BSE32 tc>55°C: BSE55 (Option)
Oil type R22 (R12/R502)	B5.2 (Standard)
Oil type R290/R1270	SHC226E (Standard)

Motor data

Motor voltage (more on request)	380-420V Y-3-50Hz
Max operating current	7.8 A
Starting current (Rotor locked)	37.0 A
Max. Power input	4,5 kW

Extent of delivery (Standard)

Motor protection	SE-B1
Enclosure class	IP65
Vibration dampers	Standard
Oil charge	1,50 dm ³

Available Options

Additional fan	Option
Crankcase heater	0..120 W PTC (Option)

Sound measurement

Sound power level (+5°C / 50°C)	67,0 dB(A) @ 50Hz
Sound power level (-10°C / 45°C)	66,5 dB(A) @ 50Hz
Sound power level (-35°C / 40°C)	(69,0) dB(A) @ 50Hz
Sound pressure level @ 1m (+5°C / 50°C)	59,0 dB(A) @ 50Hz
Sound pressure level @ 1m (-10°C / 45°C)	58,5 dB(A) @ 50Hz
Sound pressure level @ 1m (-35°C / 40°C)	(61,0) dB(A) @ 50Hz